
使 用 说 明 书



E

IND

IND

3N 380V 10%

50Hz

20-40 kHz

1x12kW/16kW

2x12kW/16kW

12kW/16kW

16kW/20kW/24kW

4x2.5kw/3.5kW

-- 2x5kW/8kW

-- 12kW/16kW

-- 2x12kW/16kW

24kW/30kW

10kW

2x10kW

21kW /200L 21kW /300L

-40	+50	+5	+40
10	90	30	90

YZW

10kW-20k7	6mm ²
24kW-30k7	10mm ²

50-600 kPa

40

100mm

III

3mm

30mA

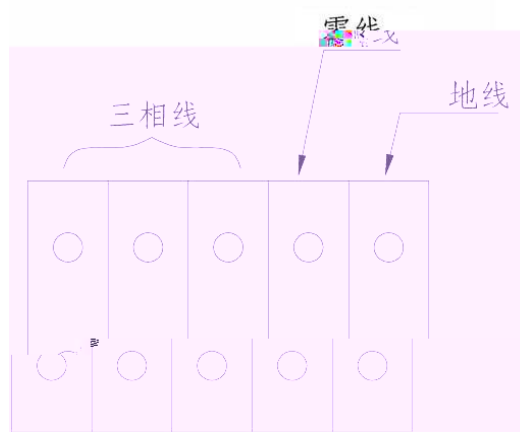
L1 L2 L3 N PE

PE

N

L1 L2 L3

L1 L2 L3 N PE

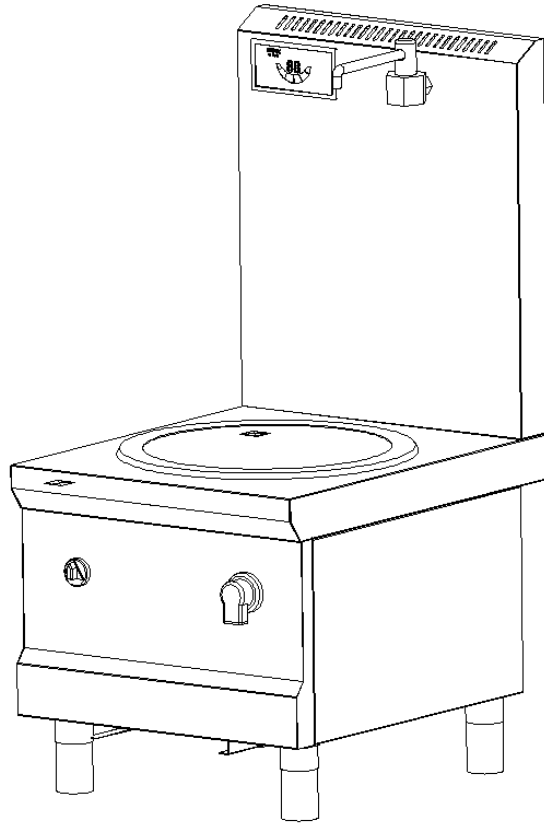


0'



1'

1'

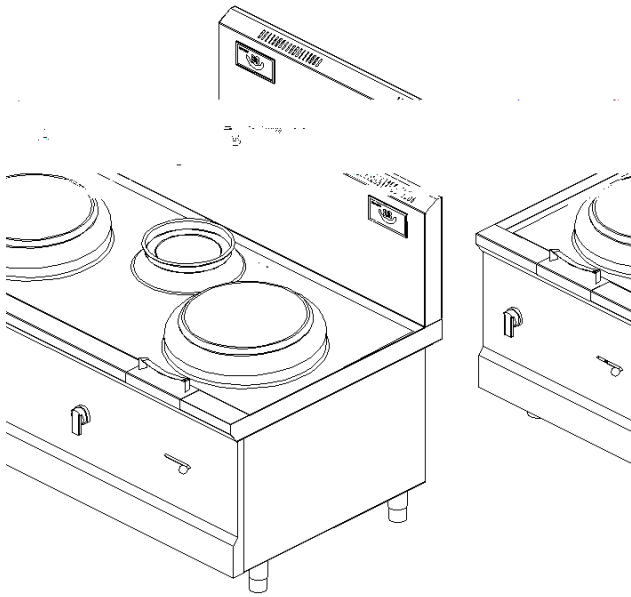
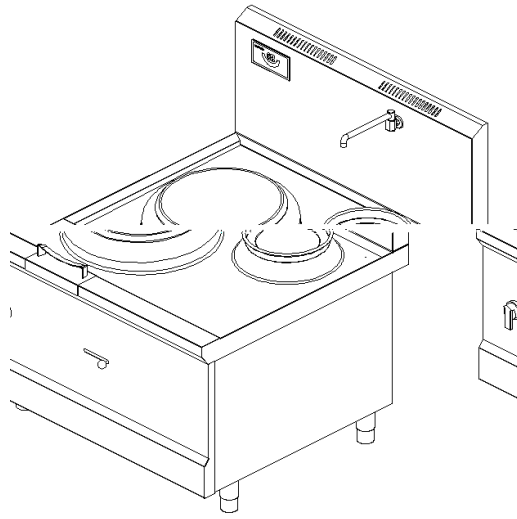


3N 380V 10%

0

0

1'



3N 380V 10%

0

0

1'

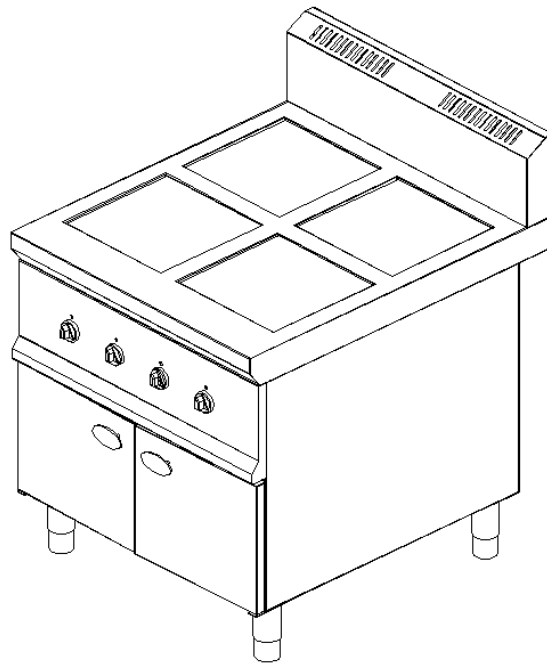
3N 380V 10%

1 4

5

0

1'



3N 380V 10%

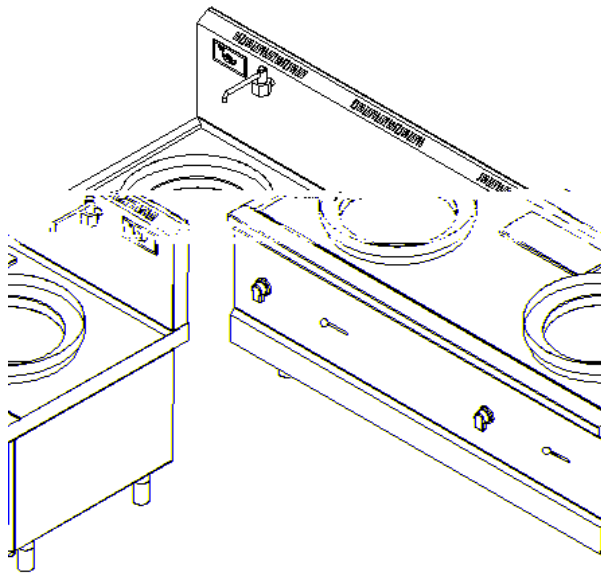
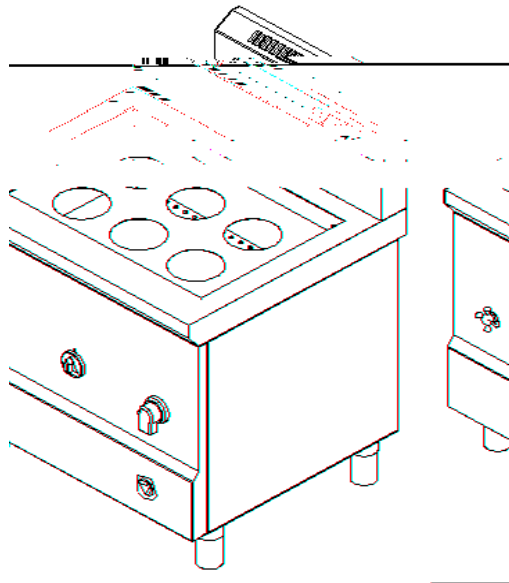


0

0

1.

1'



3N 380V 10%

0

0

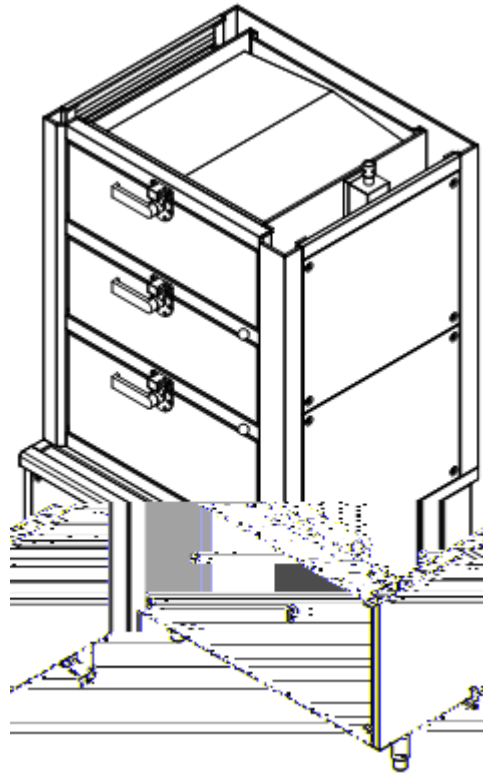


1'0



A

900 x 810 x 1875



B

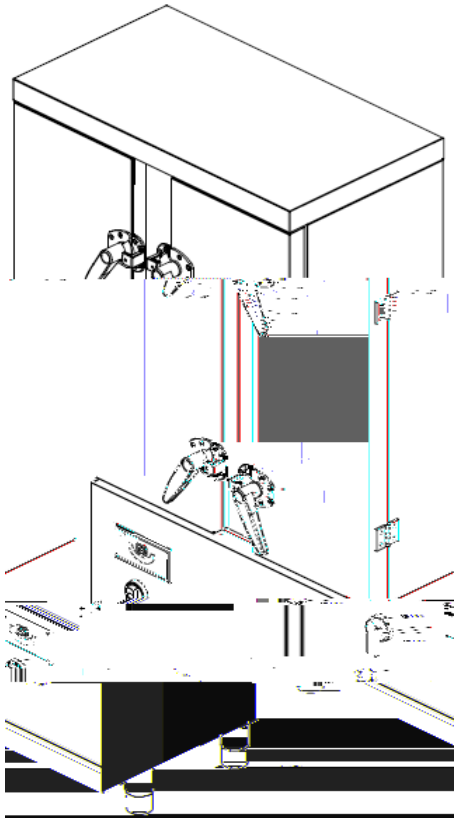
1000 x 900 x 1875

3N 380V 10%

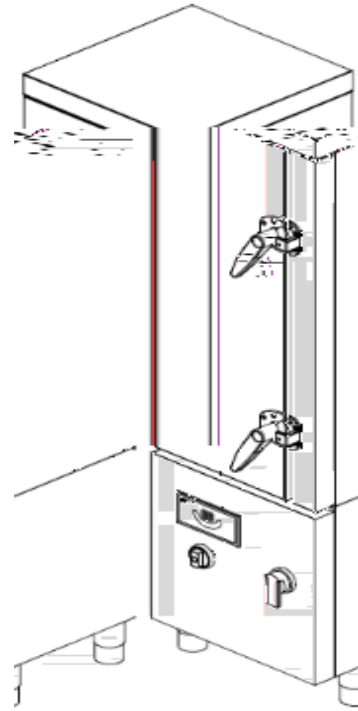
0



1'1



1000x780x1910 24



680x580x1850 (12)

680x580x1685 (10)

0

0

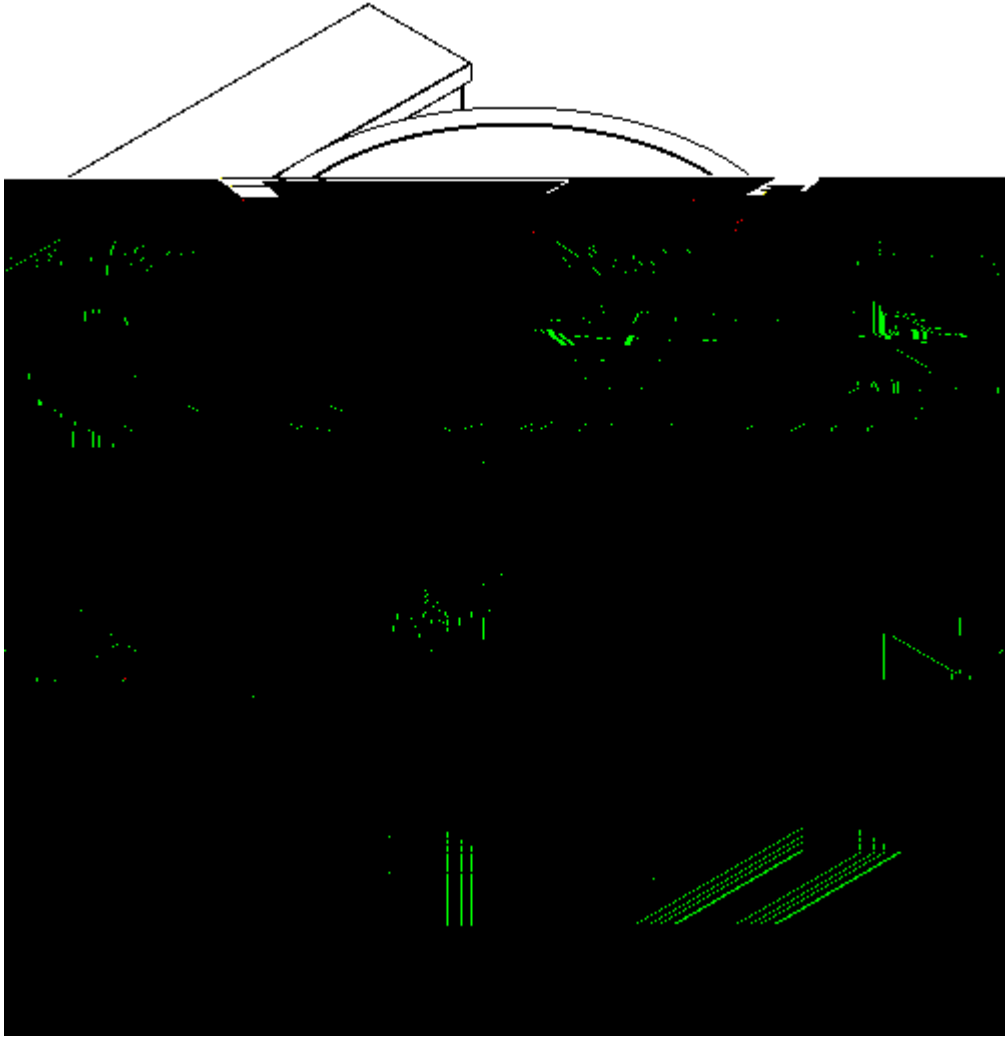
M0

M1

0



1'2



3N 380V 10%

0

0



3 5

3

2'

2'.

'



▪



▪

E

400-888-7577

0086-532-86672003

1

266100